

- NOTES--
1. ALL CABLE SCREENS ARE GROUNDED
  2. A SHORTING LINK IS NORMALLY PROVIDED BETWEEN THE P.A. DISABLE FACILITY UNLESS THE P.A. DISABLE FACILITY IS REQUIRED.
  3. C270 MAY NOT BE FITTED ON SOME UNITS.
  4. RI61 IS SELECTED DURING PRODUCTION TEST FOR METER CALIBRATION.
  5. SEE PART 4, CHAP 2 FOR NOISE BLANKER GAIN CONTROL CONNECTIONS.

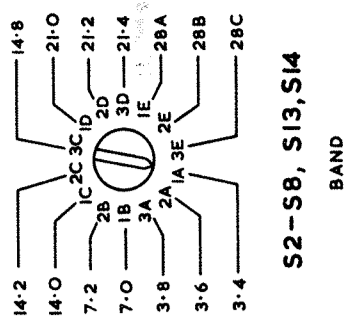
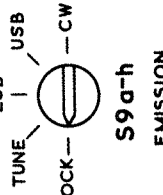
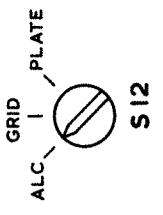
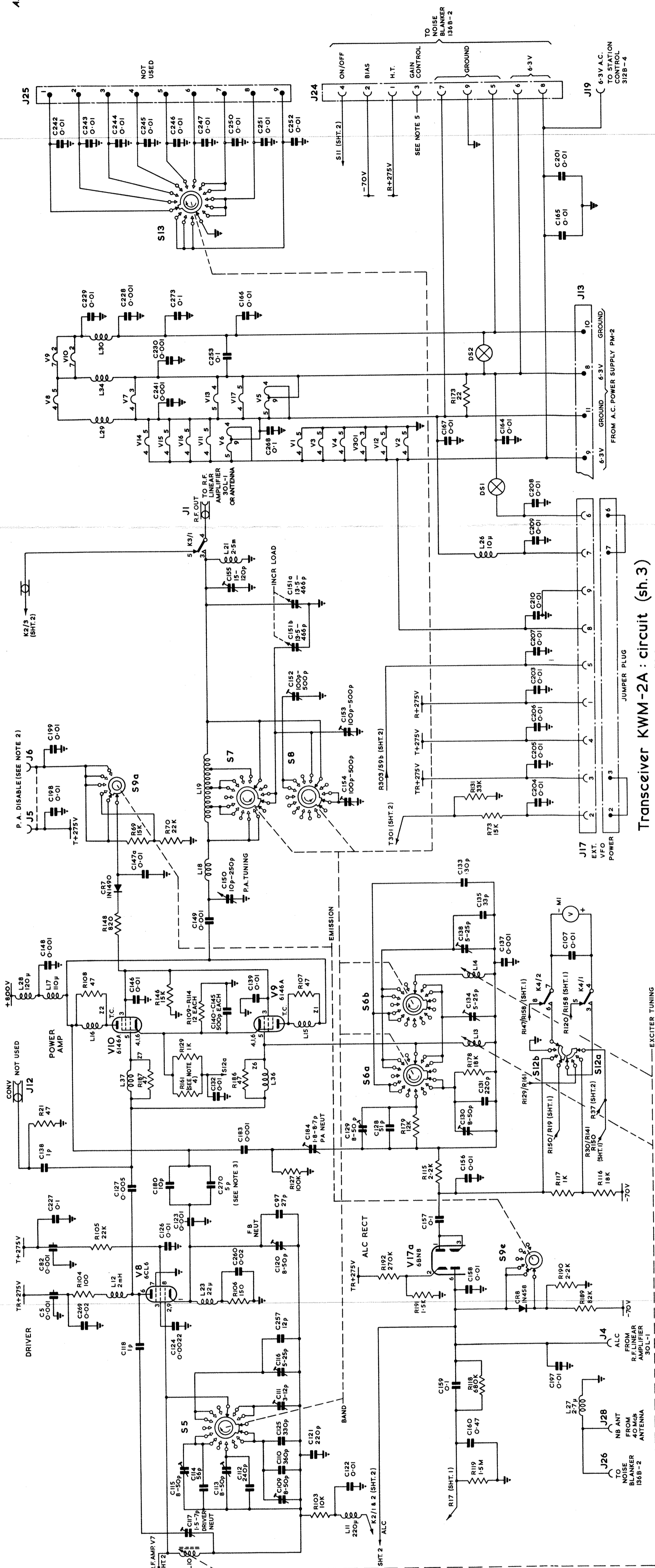


Fig. 10



Transceiver KWM-2A : circuit (sh.3)  
RESTRICTED

AIR DIAGRAM-MIN  
116E-0128-M08  
BY COMMAND OF THE REFERENCE COUNCIL FOR USE IN THE  
REPAIR AND TUNE  
PROGRAM OF THE INDUSTRY OF AERIAL