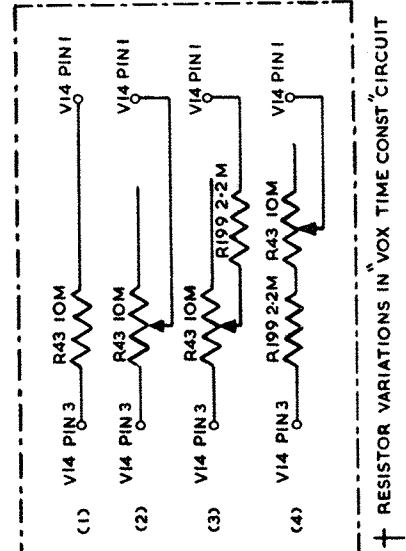


- NOTES:-
1. ALL CABLE SCREENS ARE GROUNDED.
 2. SIO IS CLOSED IN THE FULLY COUNTER-CLOCKWISE POSITION OF RB.
 3. THIS SECTION OF S11 IS CLOSED IN THE ON, NB AND CAL POSITIONS.
 4. THE VALUE OF R140 AND R158 ARE SELECTED DURING PRODUCTION TEST.
 5. DURING PRODUCTION TEST AND IN SOME UNITS C10 IS CONNECTED IN PARALLEL WITH C9.



Transceiver KWM-2A : circuit (sh.1)